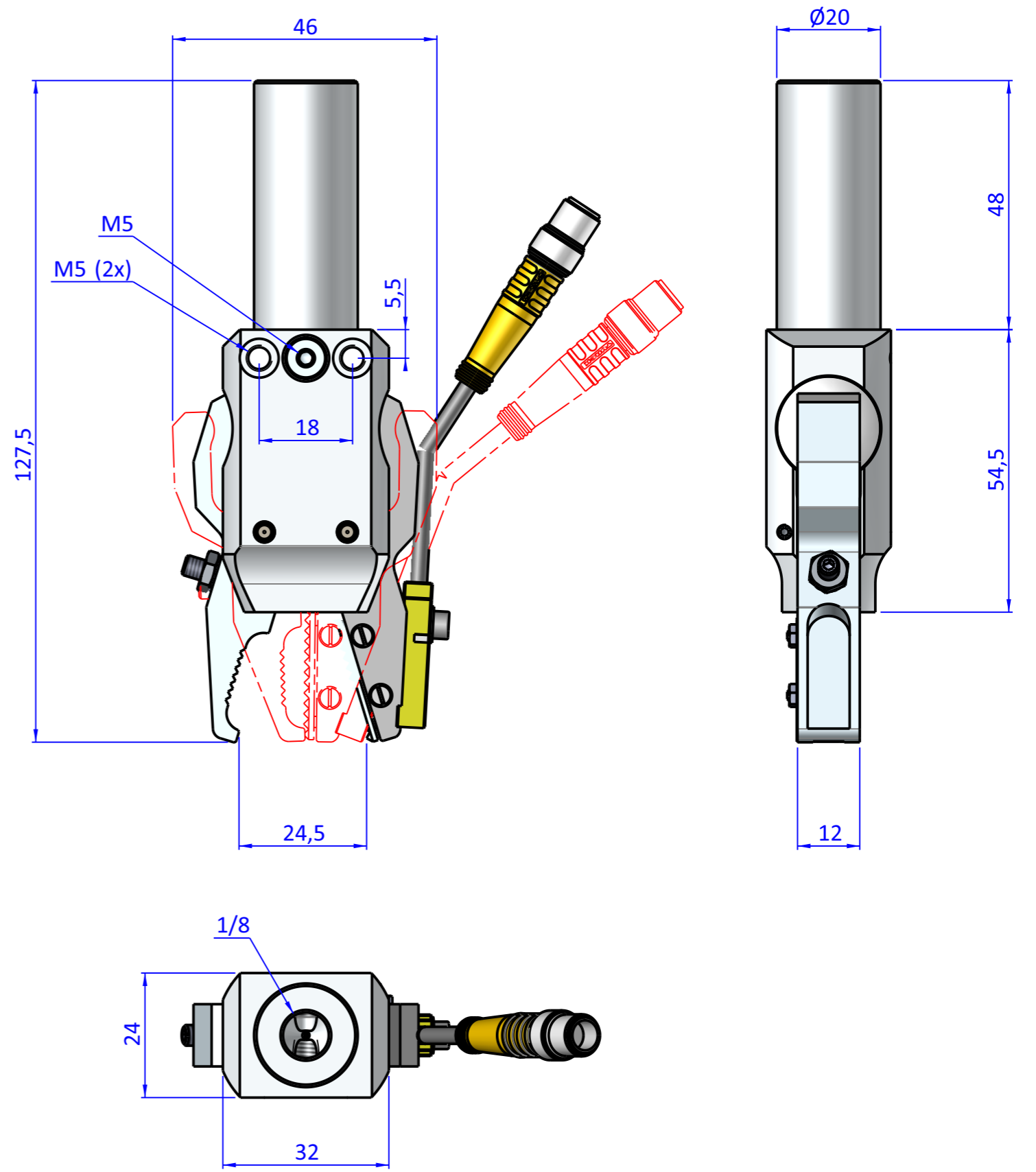
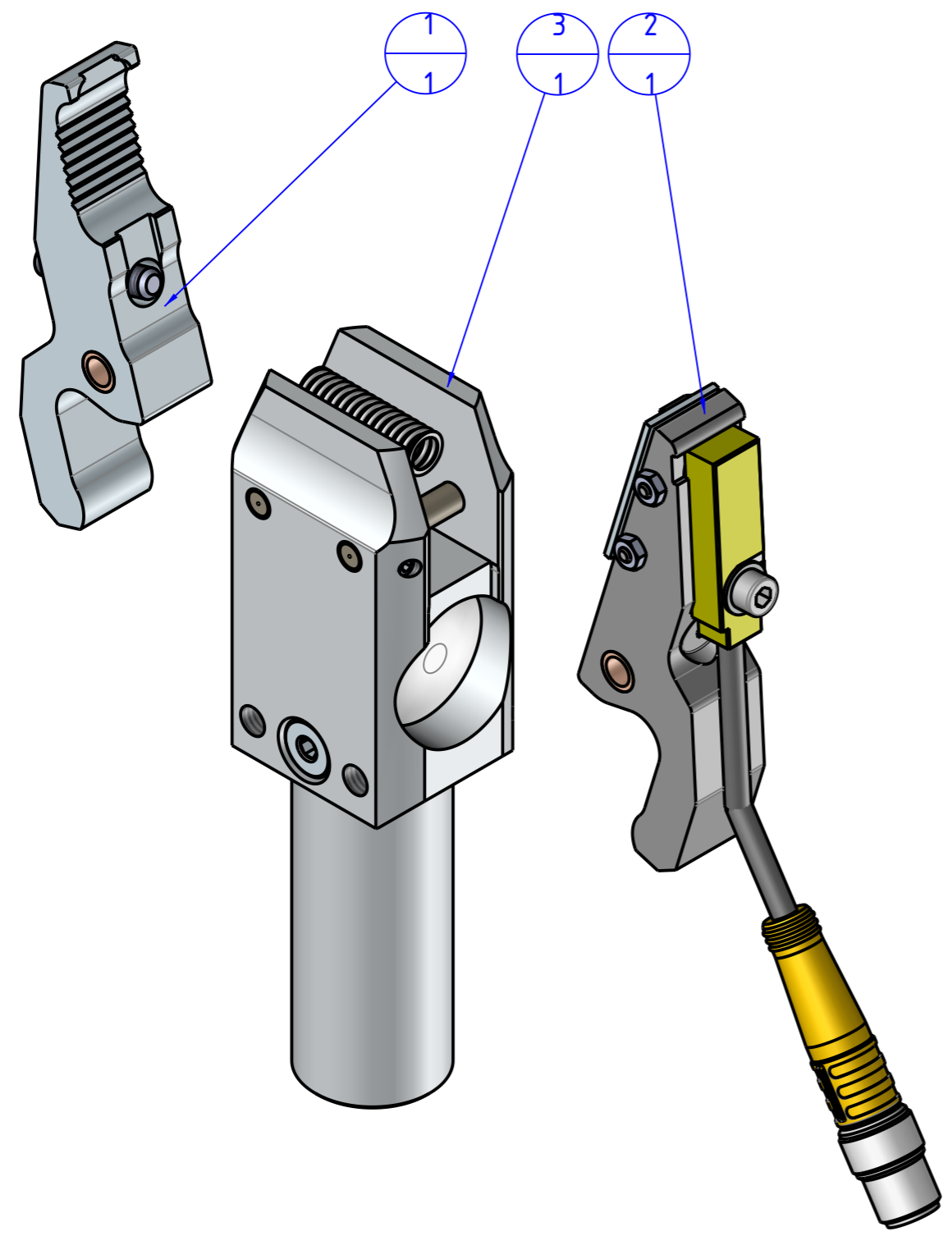

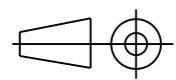


THE PROPERTY OF THE DRAWING IS ESTABLISHED BY LAW. IT IS FORBIDDEN TO PRODUCE OR SHOW IT TO THIRD PART - WITHOUT A WRITTEN AGREEMENT.

Item	Name	Q.ty
1	GTS.04.14	1
2	GTS.04.15.N	1
3	GTS.04.G18	1



Format A3
UNI 936-76

 FPS FPSERVICES AUTOMATION			DESIGNED FROM FPS Automation	REVIEW A	
GENERAL TOLERANCE UNI - ISO 2768 CLASSE f		DESCRIPTION CA.GTS.1004.1415		DATE -	WEIGHT 0,170kg
				CODE CA.GTS.1004.145N	